

# DEL-SYS

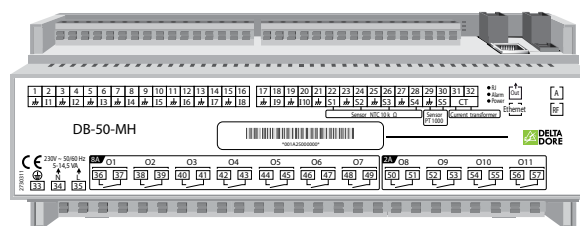
## IP terminal controller

Product data sheet

Ref.: DB-50-MH

### Description

The DB-50 terminal controller from the DEL-SYS range is an easy and economical way to manage the comfort of living spaces (lighting, heating, metering and current limitation). The product is particularly suitable for electrical management in the hotel and domestic market.



### Strengths

#### Enhanced performance

- 100Mb/s Ethernet port.
- RFID connection possible.

#### Wiring

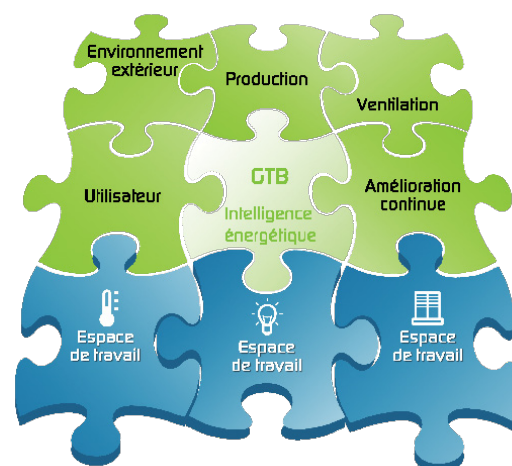
- quick wiring using RJ9 connectors.
- simplified maintenance with screw-free terminal blocks.

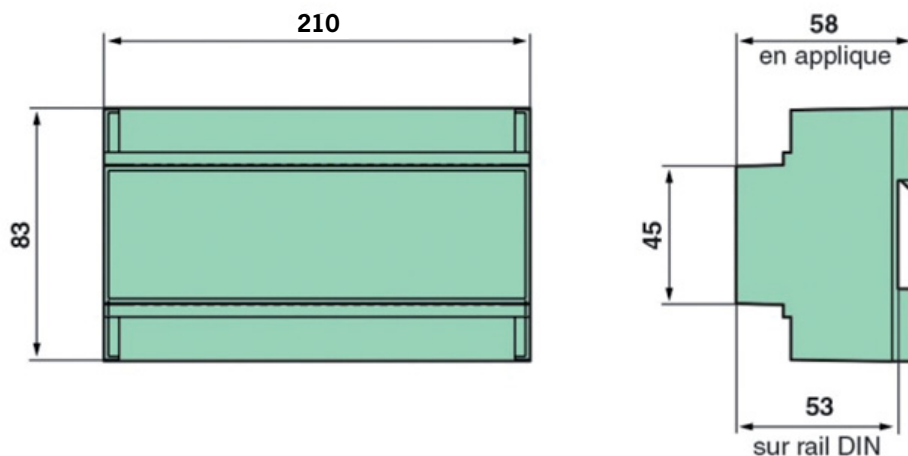
#### Eco-design

The DEL-SYS range is based on an ecological approach to design and uses little energy.

#### Optimisation of costs and modularity

- electrical supply to the sensors from the controller.
- integrated current limiter.





## Applications

### > Control and Management:

- 5 room areas
- Humidity
- Forced ventilation
- Interior and exterior lighting
- Control of electrical outlets
- Hotplates
- Domestic hot water with temperature
- Time schedule
- Electricity and water metering

### > Communication using room sensors, multiple sensors

### > Occupancy recognized

### > Contact-sensor management

### > Current-limiter function

## Peripherals

DWM-01	Room sensor NTC 10k
TRANSFO TI 2/90A	Current transformer
DWM-10	Room sensor
DWM-11	Room terminal + hygrometer
4POEM5900	RFID antenna

## References

DB-50 Terminal controller DB-50

## Technical specification

Supply	230V AC, 50/60Hz
Inputs	10 x on/off, 4 x NTC sensors 1 x PT1000 sensor 1 x TI Load shedding/Limiter
Outputs	7 x 8A relay outputs (limited to 2KW) 4 x 2A relay outputs
Communication port	1 x 100base-TX Ethernet port 1 x RJ9 port 1 x RJ12 port 1 x SARF port: Radio antenna
Connectors	screw-free terminal blocks
Processor	PIC32MX795F512H
Operating T°	-20°C - 60°C
Protection	IP20
Insulation	Class II
Dimensions	Modular unit (12 modules) 210 x 83 x 58 mm